



## TELEPRINTER MUX INTERFACE SYSTEM (TMS-64)

### SYSTEM OVERVIEW

The TMS-64 can be used for transporting the information in a 64Kb/s channel from the source exchange to destination exchange through the existing conventional PCM stream. It consists of processor-based hardware, which will ensure reliability and quality of service.

The system takes Asynchronous serial data of different speeds from TP with suitable hardware interface and gives out the data at 64Kb/s speed with Co-directional interface as per G.703. At the other end, the same Asynchronous serial data can be extracted from the receive signal at 64Kbps.

### SYSTEM DESCRIPTION

TMS-64 can interface to TP (Tele Printer) on one side and 64Kb/s channel on the other side. It will take TP information, put it in 64Kb/s channel and vice-versa. As the data speeds of TP are slow, it can take up to eight Ticker information of different speeds and put in one 64Kb/s channel and vice-versa. The TMS-64 converts the analog signal (+/- 60v) from the TP to 64Kbps co-directional with multi-port capability. The application diagram is given in figure1. The system housed in a standard 19" sub rack.

### TELEPRINTER INTERFACE

- TP line voltage shall be +/- 60V, DC. Each line shall able to sink / source a maximum of 120 mA.
- Each TP line speed shall be user selectable independently.
- Simplex operation.
- Line voltage switching shall be done by semi-conductor device.
- Data format will be 1 start bit, 8 bit data, 1 stop bit with no-parity.

### PCM MUX INTERFACE

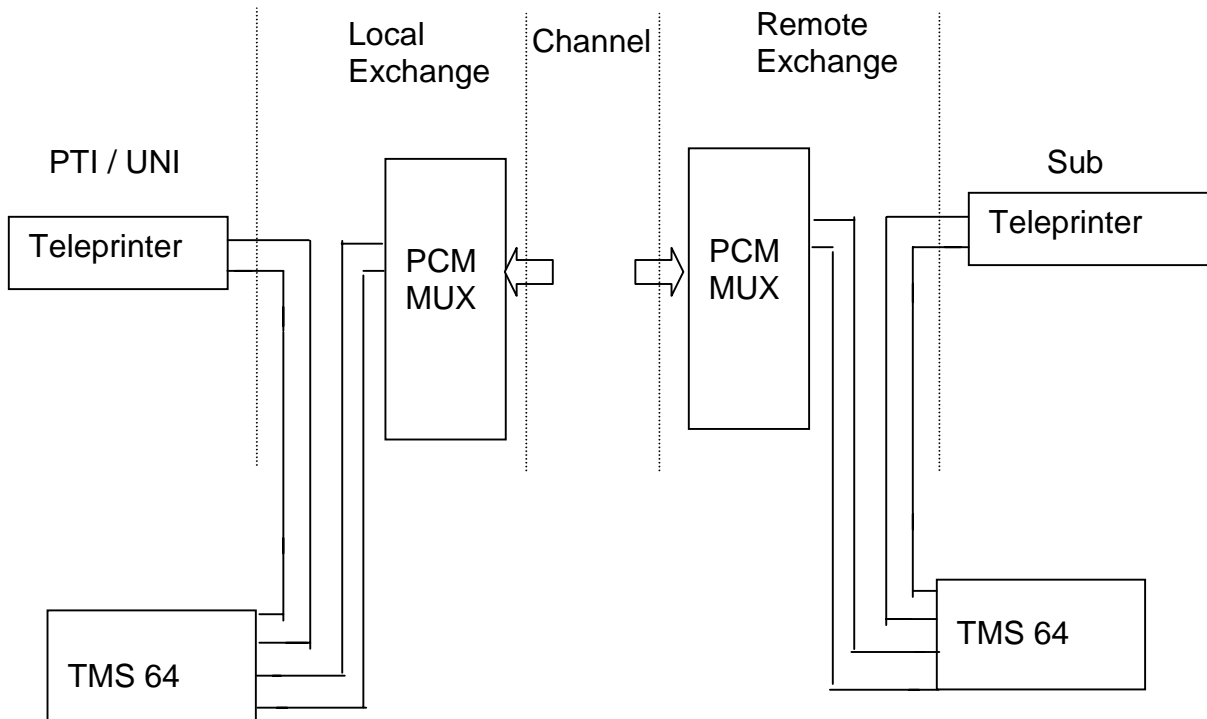
- It shall be Co-Directional interface as per G.703.
- System shall be able to work with Receive clock / External clock / internal clock.

### SYSTEM FEATURES

- Micro controller / Processor based standalone system operates on -48V D.C.
- System provides interface to TP on one side and 64Kb/s Co-directional interface as per G.703 on the other side.
- System works as Mux as well as DeMux.
- User can select required type of input interface.
- All the 8 ports data are multiplexed and sent through one 64Kb/s line.
- All the 8 ports data speeds are user selectable. Typical Data speeds will be 50/100/300/1200 bauds per port.

- Power Consumption 18 watts
- Necessary protections and alarms are provided on both TP and 64 Kbps side.
- User can select output port / ports for an input port.
- Provision to duplicate data from one input port to more than one output port.
- The data speed at input and output ports at far end shall be same.

### APPLICATION BLOCK DIAGRAM



### TELEPRINTER MUX INTERFACE SYSTEM

For Further Details Contact

#### Innovation Communications Systems Ltd.

Corporate Office  
 8-2-467/4/A/A, Ground Floor,  
 Road No 1, Banjara Hills,  
 Hyderabad - 500 034.(India)  
 Ph: +91-40- 23352169,23351023,23351024.  
 Ph: +91-40-55620222, 55620223.  
 Fax: +91-40-23351021  
 E-mail: [info@icsglobal.biz](mailto:info@icsglobal.biz)

Development Center  
 8-3-898/30/2,  
 Nagarjuna Nagar Colony,  
 Ameerpet,  
 Hyderabad - 500 073.(India)  
 Ph: +91-40-23752790  
 Fax: +91-40-23752788  
 Visit us at: [www.icsglobal.biz](http://www.icsglobal.biz)